



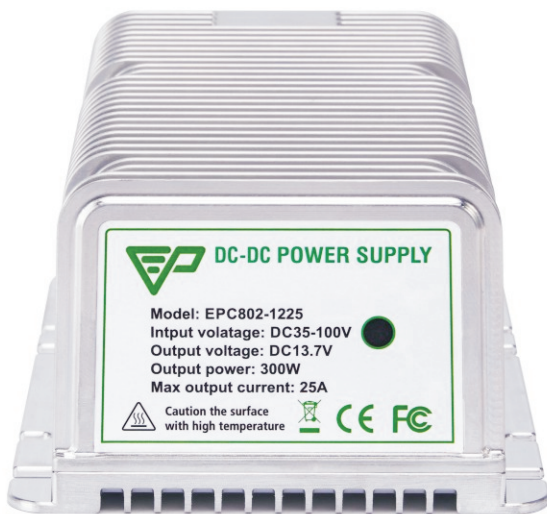
EAY POWER

Product Model

产品型号 >>

EayPower EPC802-1225 Industrial Car Battery Charger

EPC802-1225 is a DC-DC high performance charger . It features compact ,sealed and meets IP66 protection . Wide output voltage (35-100Vac), the output is constant voltage and constant current ,which will step down the input DC 35V to 100V range voltage to DC 13.7V voltage to meet the customer' s demand . With the continuous development of aerial work platform vehicles and the diversification of application environments . DC-DC chargers are used more and more widely.



High Reliability(IP66)

Engineering design based, each set has been strictly tested, waterproof grade up to Ip66.



Wide Input Voltage

Wide input voltage range 35-100Vac.



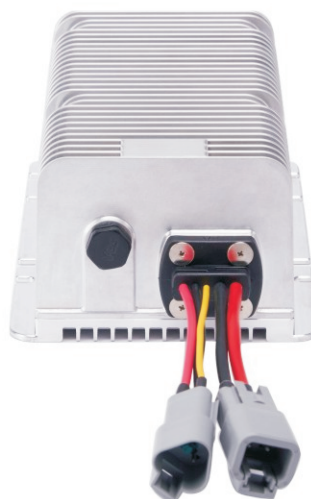
Intelligent Protection

With protected against short circuit , over-voltage and over-temperature function.



Flexibility in use

The load can be a battery, capable of charging the battery with constant voltage and current limitation, or other loads.



Product Parameters

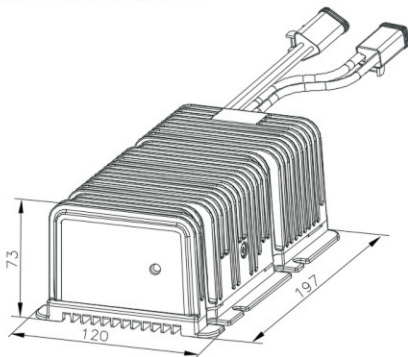
产品参数 >>



Product Characteristics

- ➔ Wide input voltage range, input voltage 35-100Vac.
- ➔ Output Voltage 13.7Vdc/25A, Total output power 300W, adopting natural conduction heat dissipation.
- ➔ Constant current precision $\leq 5\%$, with protected against short circuit, over-voltage and over-temperature function.
- ➔ Max. efficiency $\geq 92\%$
- ➔ The load can be a battery, capable of charging the battery with constant voltage and current limitation, or other loads.

Dimension



EPC802-1225 Specifications:

DC Output	DCDC1225
DC Output Voltage	13.7V \pm 0.1V
DC Output Current	25A(MAX)
Starting Voltage	5V-100Vdc(Common ground to input voltage)
Output Reverse	No Output
Input Reverse	Self identification does not work
Output Short Circuit Protection	Long-term short-circuiting of the outputs does not damage the power supply
Over-temperature Protection	Output derating when heat sink temperature reaches 70 degrees

DC Input	
DC Input Voltage Range	35VDC-100VDC
Starting Voltage	≥ 48 VDC

Regulatory	
Safety	CE

Mechanical	
Dimensions	197*120*73mm
Weight	1.5Kg
DC Input Connector	14AWG red and black wire
DC Output Connector	10AWG red and black wire
Starting Control Line(Ignition line)	16AWG yellow wire
Cooling	Natural heat dissipation

Environmental	
Operating Temperature	-30°C-+65°C
Storage Temperature	-40°C-+70°C
Waterproof	IP66